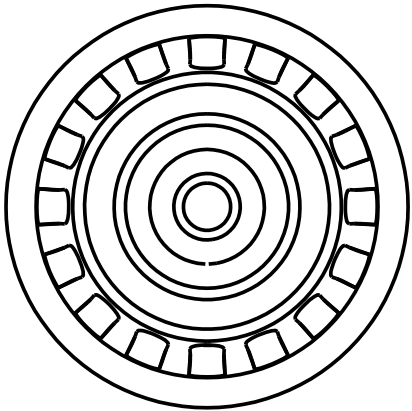
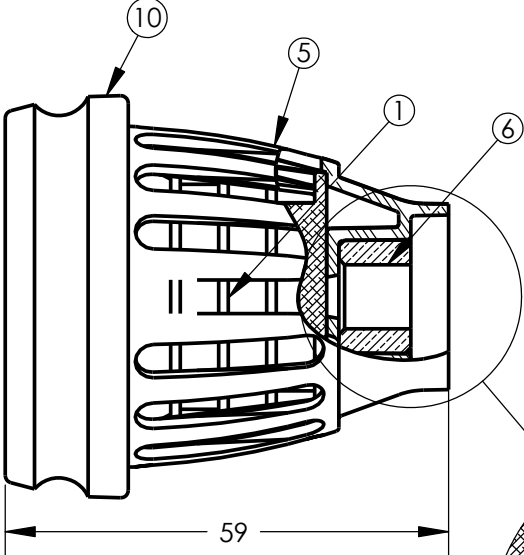
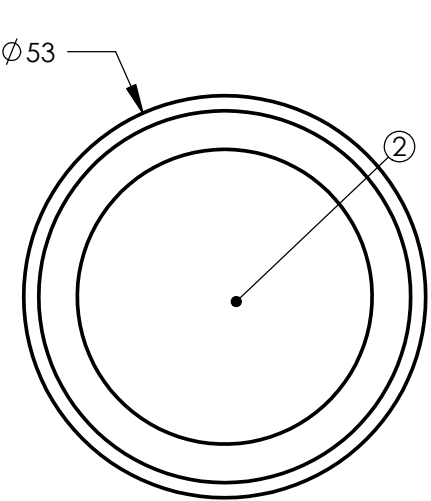
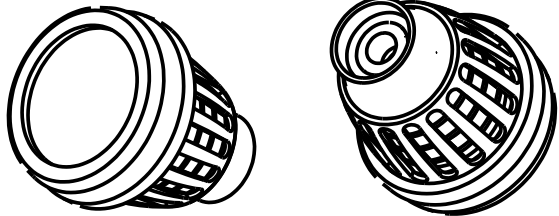
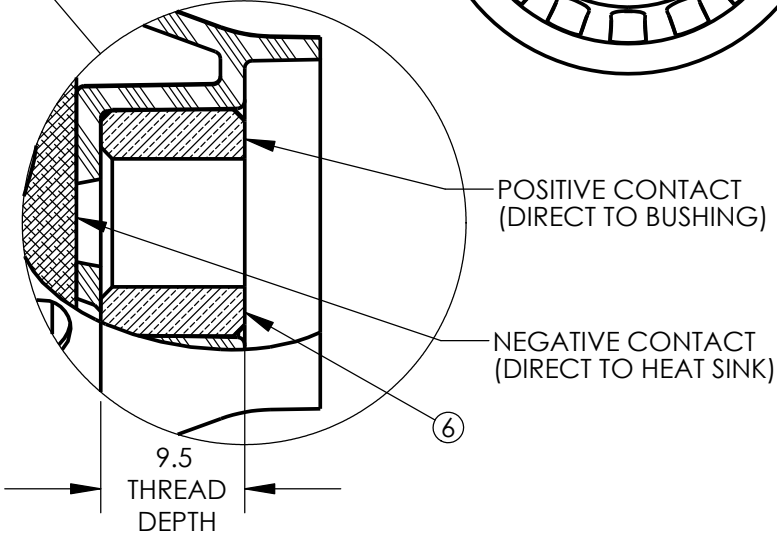


REVISIONS				
ZONE	REV.	DESCRIPTION	DATE	APPROVED



POWER REQUIREMENTS:
420 MA CONSTANT CURRENT @ 10.5 VDC NOMINAL

NO.	DESCRIPTION
1	HEAT SINK 6061-T6 ALUMINUM NATURAL COLOR
2	LENS ACRYLIC CLEAR
5	CAGE PBT BLACK
6	THREADED BUSHING BRASS 1/8-27 NPSM
10	GROMMET NEOPRENE RUBBER BLACK



FOR REFERENCE ONLY

PROPRIETARY AND CONFIDENTIAL
THIS DRAWING IS COPYRIGHTED AND IS THE PROPERTY OF CENTRAL TOOLS, INC. THE INFORMATION CONTAINED IN THIS DRAWING IS TO BE TREATED AS CONFIDENTIAL. IT IS NOT TO BE USED, COPIED, OR DISCLOSED WITHOUT THE WRITTEN CONSENT OF CENTRAL TOOLS, INC.

DIMENSIONS IN MILLIMETERS		NAME	DATE	Central Tools, Inc. Cranston, Rhode Island, USA	
DRAWN				NAME:	
CHECKED				Central.E.D.(R) LAMPHEAD	
ENG APPR.		SBO	30SEP05		
MFG APPR.					
MATERIAL		Q.A.		SIZE A	DWG. NO. 100LED-70
FINISH		COMMENTS:		REV.	
DO NOT SCALE DRAWING				CODE:	SHEET 1 OF 1